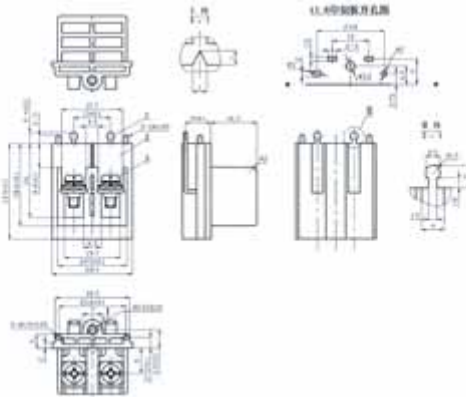


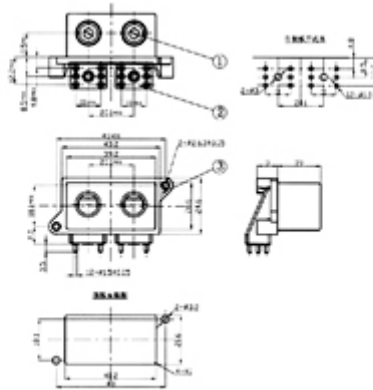
Binding Post



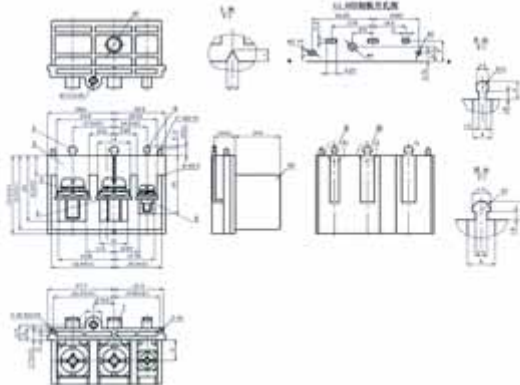
JXZ2-01

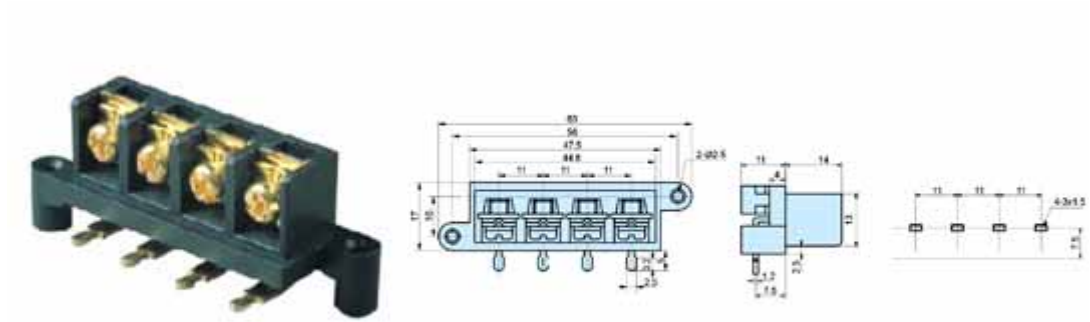


JXZ2-04A1



JXZ3-01





JXZ4-01

Binding Post

A binding post is a connector commonly used on electronic test equipment to terminate (attach) a single wire. They are widely used on electronic equipment, such as TV, DVD, VCD, video camera, music center, sound box, radio recorder, telecom equipments, car etc. We offer various binding posts to meet your different needs. Our binding posts have been exported to EU, Japan, etc. and have got high reputation in the market.