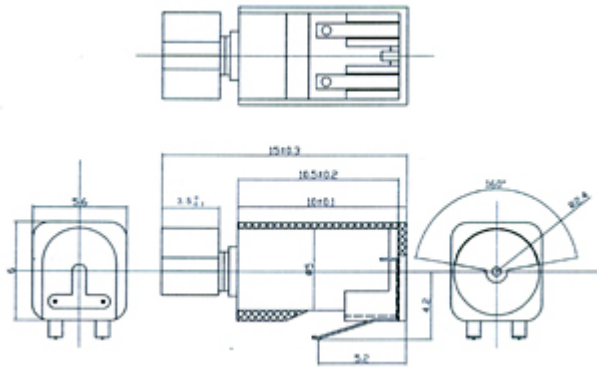


Bar Type Vibration Motor ($\phi 5$ Spring Reed Type Vibration Motor)



Enlarge

[\$\phi 5\$ Spring Reed Type Vibration Motor](#)

Name: $\phi 5$ Spring Reed Type Vibration Motor

Model: 5HK10-S3

Application:

- Mobile phone
- PCS (Personal Communication by Satellite)

Specification: Different structures of counterweight and spring reeds, different shapes and sizes of rubber sleeves are available according to your requirements.

Technical data:

Rated Voltage	Rated Current	Rated Speed	Stall Current	Starting Voltage	Terminal Impedance	Service Voltage
1.3VDC	80mA(Max)	10000 \pm 2000	85mA(Max)	0.9V(Max)	15 Ω \pm 10%	1.0V~ 2.0V
3VDC	90mA(Max)	12000 \pm 2500	100mA(Max)	2.0V(Max)	34 Ω \pm 10%	2.0V~ 4.0V