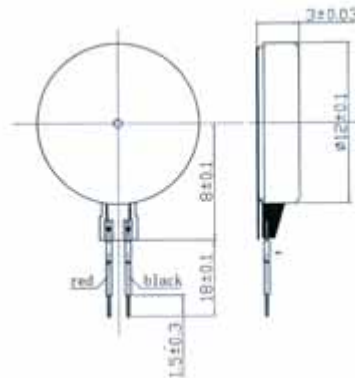


Φ12×3.0 Coin Type Vibration Motor



Enlarge

Φ12×3.0 Coin Type Vibration Motor

Name: Φ12×3.0 Coin Type Vibration Motor

Model: ARX6B1230

Applications:

- Mobile phone
- PCS (Personal Communication by Satellite)

Specification: Different structures of non-drying glues, rubber bearings and down-leads are available according to your requirements.

Technical data:

| Rated Voltage | Rated Current | Rated Speed | Starting Voltage | Service Voltage |
|---------------|---------------|-------------|------------------|-----------------|
| 3VDC | 90mA(Max) | 10000±3000 | 2.0V(Max) | 2.0V ~ 4.0V |